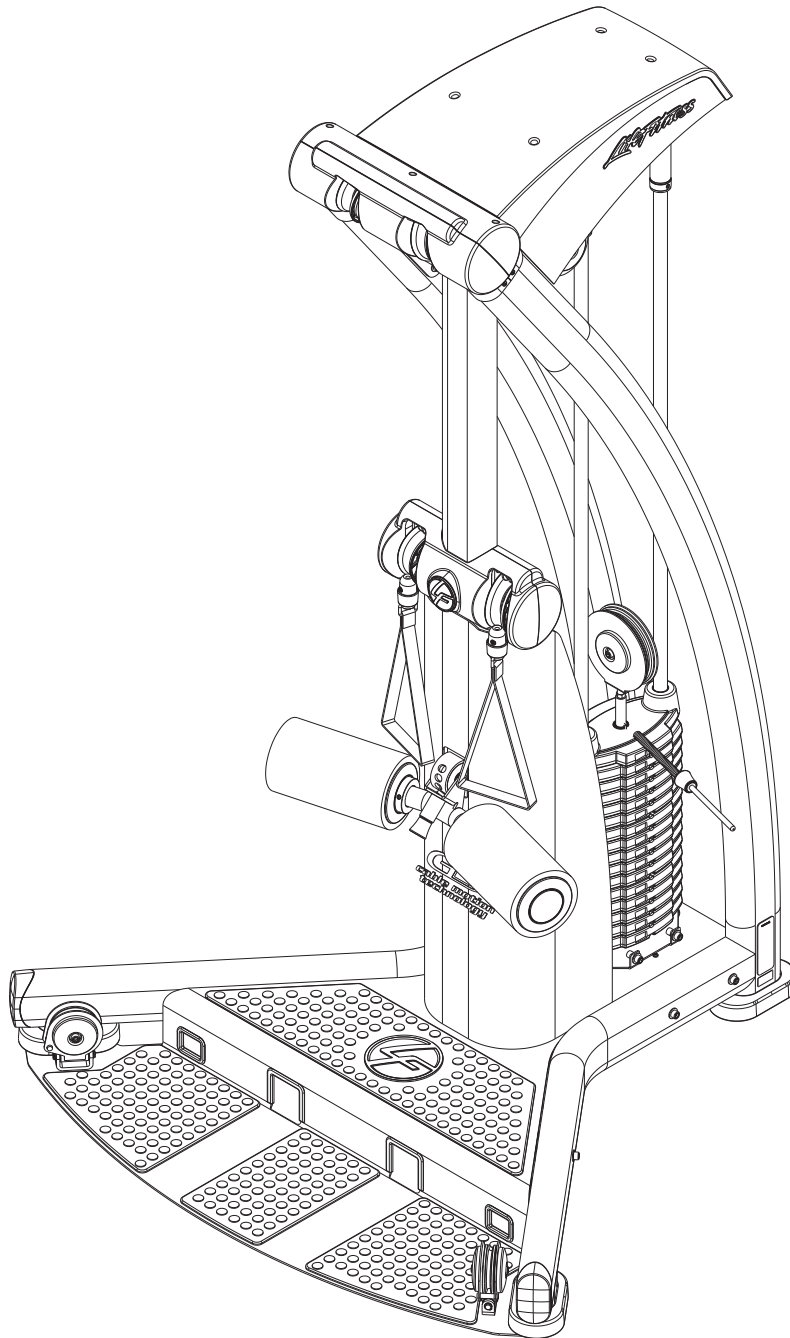




PARABODY  
G5 GYM SYSTEM



Customer Support Services  
**PARTS LIST**

# G5 GYM SYSTEM

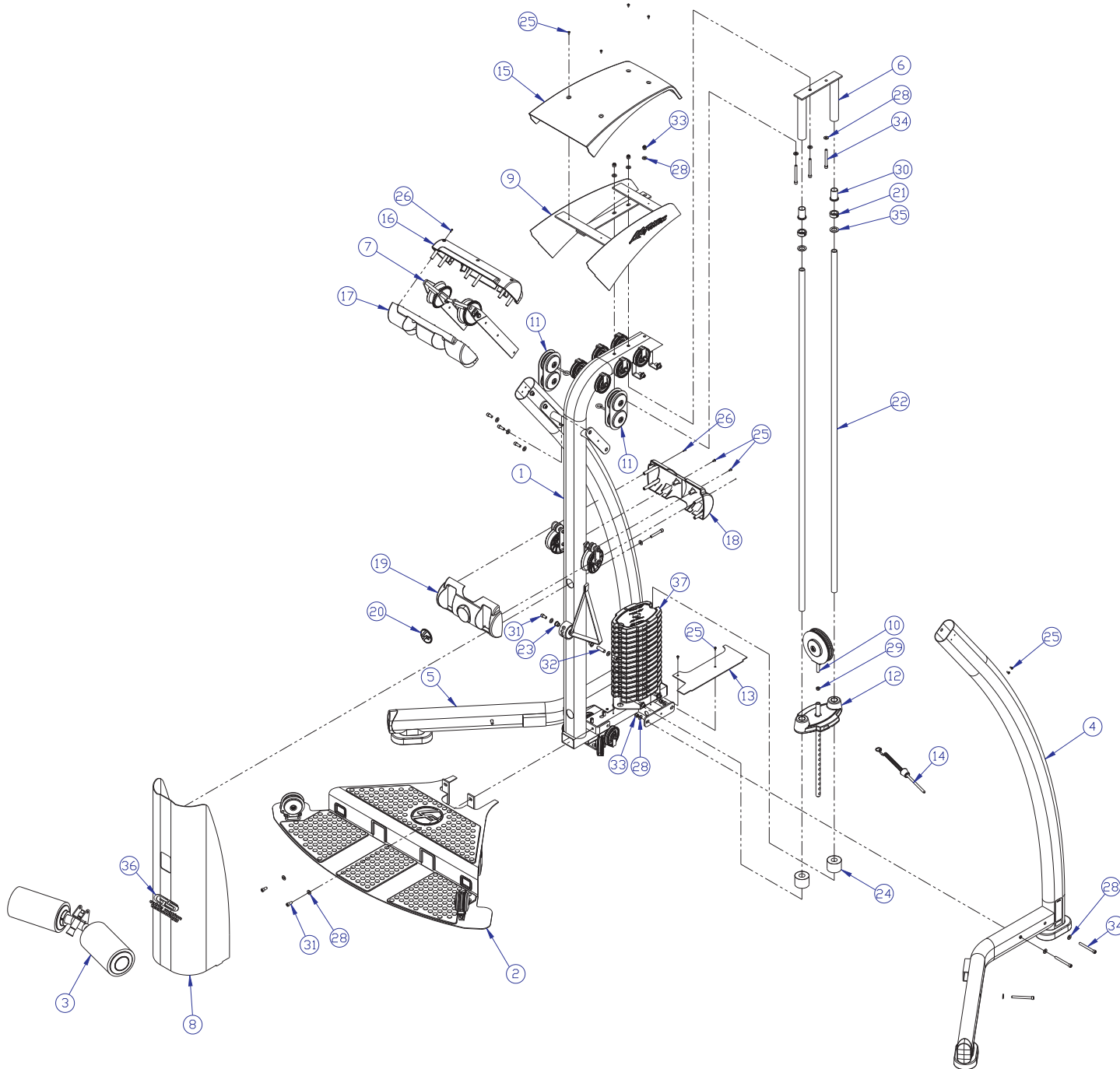
## Contents

---

COMPONANT ASSEMBLY	pg.3
COMPONANT ASSEMBLY LEGEND	4
FOOT PLATE ASSEMBLY	5
LEFT UPRIGHT ASSEMBLY	6
RIGHT UPRIGHT ASSEMBLY	7
FRONT UPRIGHT ASSEMBLY	8
ROLLER PAD ADJ. ASSEMBLY	9
TOP PULLEYS ASSEMBLY	10
FLOATING PULLEYS ASSEMBLY	11
HEAD PLATE PULLEY ASSEMBLY	12
HEAD PLATE ASSEMBLY	13
STRAPS AND CABLES	14
OPTIONAL SHROUD ASSEMBLY	15
IMAGE	16

# G5 GYM SYSTEM COMPONENT ASSEMBLY

---



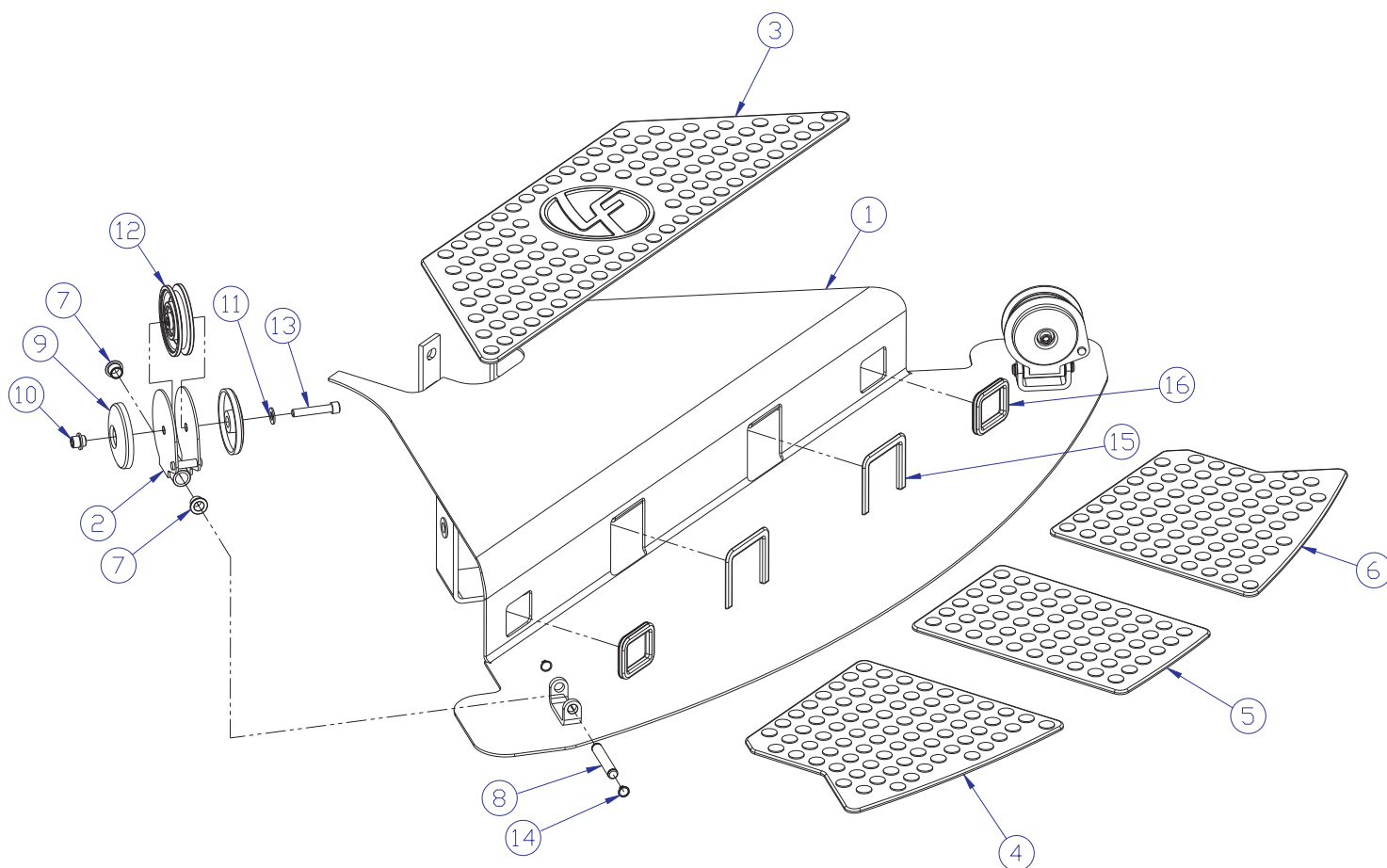
SEE PAGE 4 FOR LEGEND

# G5 GYM SYSTEM COMPONENT ASSEMBLY LEGEND

---

ITEM NO.	QTY.	PART NO.	DESCRIPTION
1	1	LEA7728201	PTD ASSY, FRONT UPRIGHT
2	1	LEA7701601	PTD ASSY, FOOT PLATE
3	1	LEA7729801	PTD ASSY, ROLLER PAD ADJ.
4	1	LEA7701701	PTD ASSY, LEFT UPRIGHT
5	1	LEA7701801	PTD ASSY, RIGHT UPRIGHT
6	1	LEA7611701	WLDMT, GUIDE ROD
7	1	LEA7746101	PTD ASSY, TOP PULLEYS
8	1	LEA7761701	PTD ASSY, FRONT SHROUD
9	1	LEA7761601	PTD ASSY, G5, TOP SHROUD
10	1	LEA7762401	PTD ASSY, HEAD PLATE PULLEY
11	2	LEA7754501	PTD ASSY, FLOATING PULLEYS
12	1	LEA6925501	PTD ASSY, HEAD PLATE 20"
13	2	LEA7682001	PLATE, REAR BOTTOM
14	1	LEA7622001	ASSY, SELECTOR PIN
15	1	LEA7755301	COVER TOP
16	1	LEA7755401	COVER TOP BACK
17	1	LEA7755501	COVER TOP FRONT
18	1	LEA7755601	COVER MID BACK
19	1	LEA7755701	COVER MID FRONT
20	1	AK58-00245-0000	MEDALLION;"BUG"; PUR
21	2	LEA3245501	COLLAR, 1" ID SHAFTALUM
22	2	LEA6920201	GUIDE ROD, 1" O.D. 10GA X 73
23	2	LEA6020602	BEARING, FLG 1/2 ID X 5/8 OD X 1/2
24	2	LEA7749701	CUSHION, WEIGHT STACK
25	14	LEA3223401	SCREW, 10-32 X 6 PHL PAN TT ST BZ
26	10	LEA3226003	SCREW, 6-20 X 8 PHL PAN PLT BZ
27	4	LEA3249205	.375 HXS SOC CS ST ZN X 1.00
28	35	LEA3102514	WASHER, FLAT 3/8" SAE ST ZN
29	1	LEA3102701	NUT, HEX
30	4	LEA3245401	BSHNG, GUIDE ROD 1 ID X 1-1/2
31	14	LEA3249203	.375 HXS SOC CS ST ZN X .750
32	1	LEA7705402	SHAFT, .50 DIA SLOTTED X 1.67
33	7	LEA3102802	NUT, NYLOCK 3/8-16
34	9	LEA3249214	.375 HXS SOC CS ST ZN X 3.50
35	2	LEA7749801	BUMPER, HEAD PLATE
36	1	LEA7762801	LABEL, G5 CM TECHNOLOGY
37	15	LEA7762701	PTD ASSY, WEIGHT PLATE 10-LB

# G5 GYM SYSTEM FOOT PLATE ASSEMBLY - LEA7701601

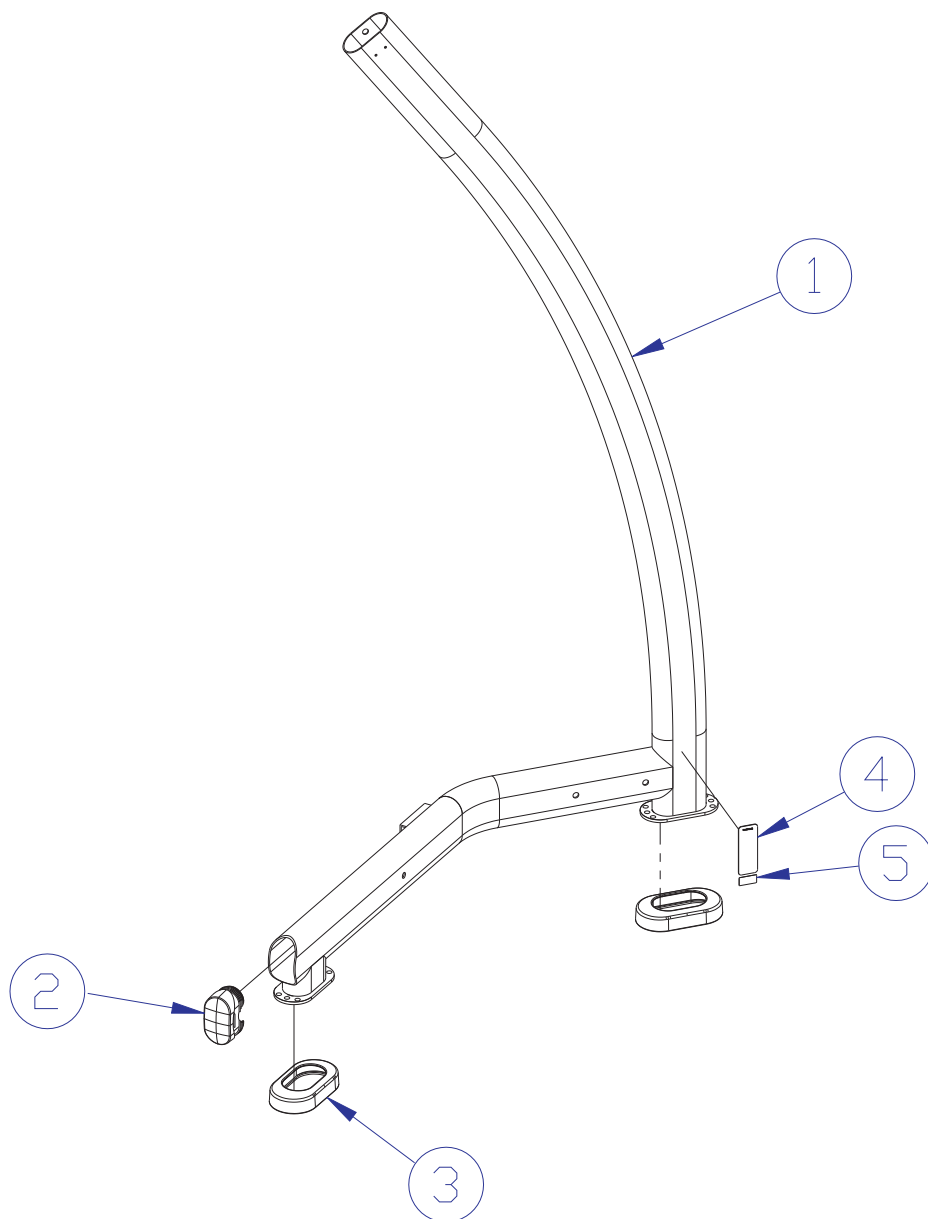


ITEM NO.	QTY.	PART NO.	DESCRIPTION
1	1	LEA7687901	WLDMT, G5, FOOT PLATE
2	2	LEA7612301	WELDMENT, SWIVEL
3	1	LEA7755201	PAD, FOOT TOP
4	1	LEA7754901	PAD, FOOT LOWER LT
5	1	LEA7755001	PAD, FOOT LOWER MID
6	1	LEA7755101	PAD, FOOT LOWER RT
7	4	LEA6020602	BEARING, FLG 1/2 ID X 5/8 OD X 1/2
8	2	LEA7746301	PIN, SWIVEL PULLEY
9	4	LEA7754801	COVER PULLEY
10	2	LEA7710101	NUT, .375 - 16 SOCKET HEAD
11	2	LEA3236601	WASHER, 3/8 SAE SS
12	2	LEA3245001	PULLEY, 3-1/2 OD X 3/8 ID X 1
13	2	LEA3249209	.375 HXS SOC CS SS X 2.00
14	4	LEA3232409	RING, RETAINING, EXTERNAL
15	2	LEA7775401	GROMMET, BENCH OPENING
16	2	LEA7775301	GROMMET, CABLE HOLE

# G5 GYM SYSTEM

## LEFT UPRIGHT ASSEMBLY - LEA7701701

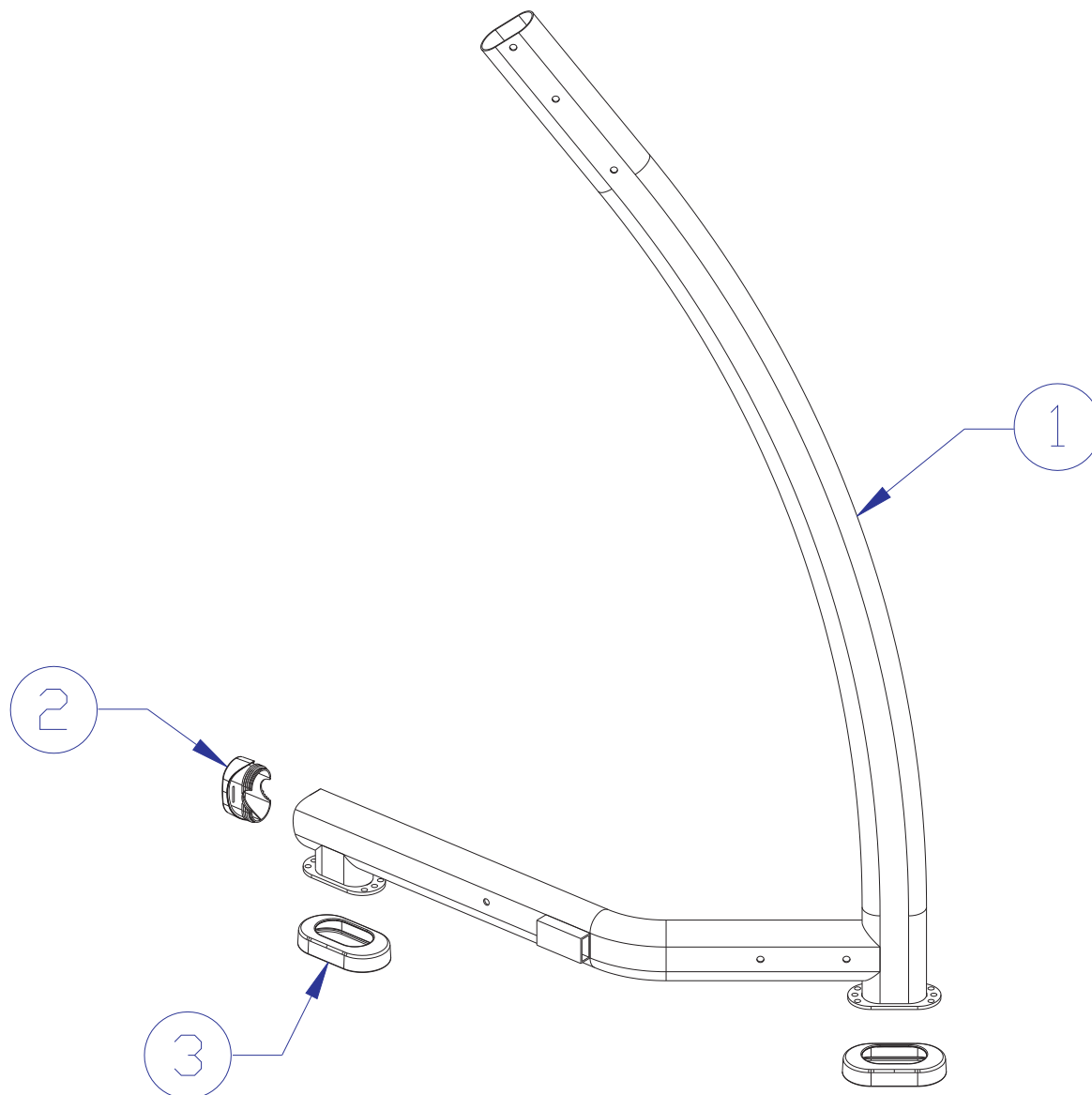
---



ITEM NO.	QTY.	PART NO.	DESCRIPTION
1	1	LEA7682501	WLDMT, G5, LEFT UPRIGHT
2	1	LEA7763101	END CAP, 2.50 X 4.49 FLOV
3	2	LEA7340201	COVER, FOOT - STRAIGHT
4	1	LEA7002401	LABEL, V WARNING 4.5 X 1.625
5	1	LEA6433001	LABEL, SERIAL NUMBER

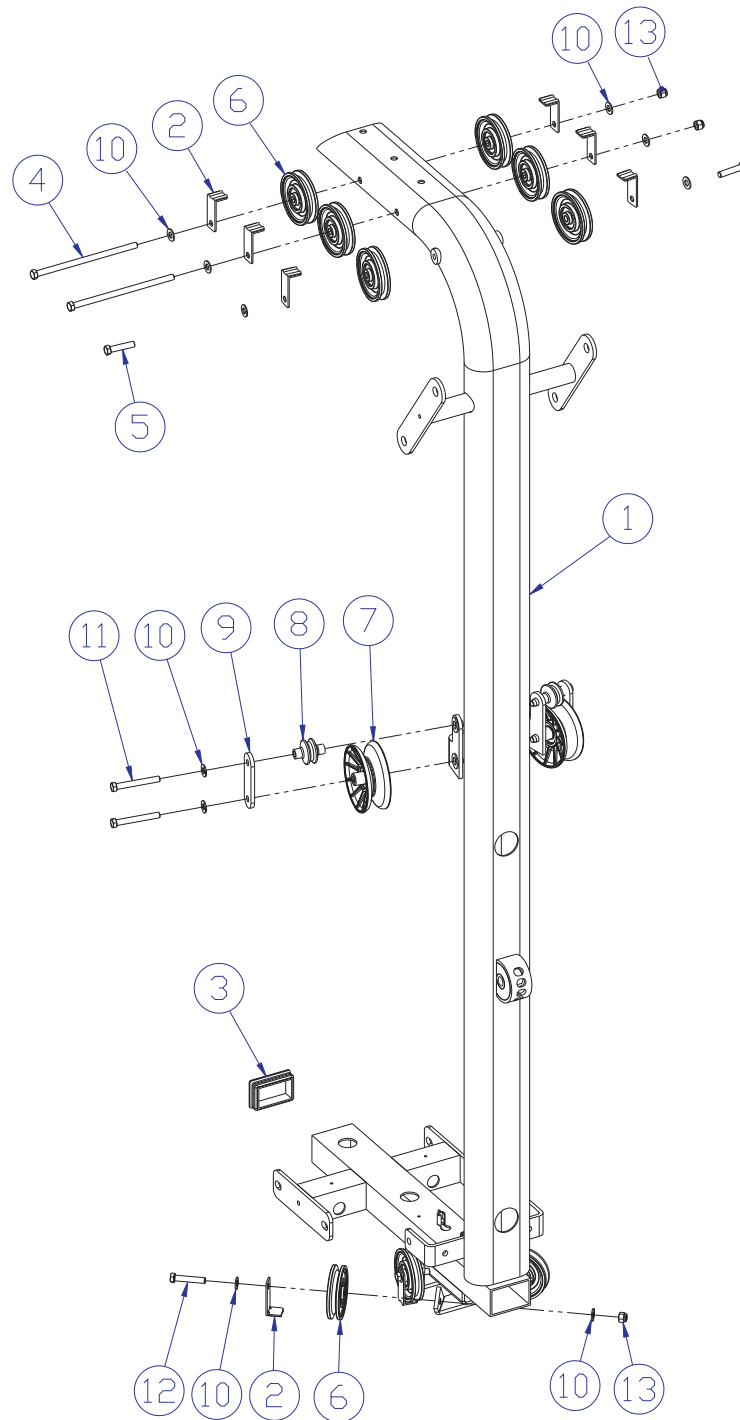
# G5 GYM SYSTEM RIGHT UPRIGHT ASSEMBLY - LEA7701801

---



ITEM NO.	QTY.	PART NO.	DESCRIPTION
1	1	LEA7682801	WLDMT, G5, RIGHT UPRIGHT
2	1	LEA7763101	END CAP, 2.50 X 4.49 FLOV
3	2	LEA7340201	COVER, FOOT - STRAIGHT

# G5 GYM SYSTEM FRONT UPRIGHT ASSEMBLY - LEA7728201

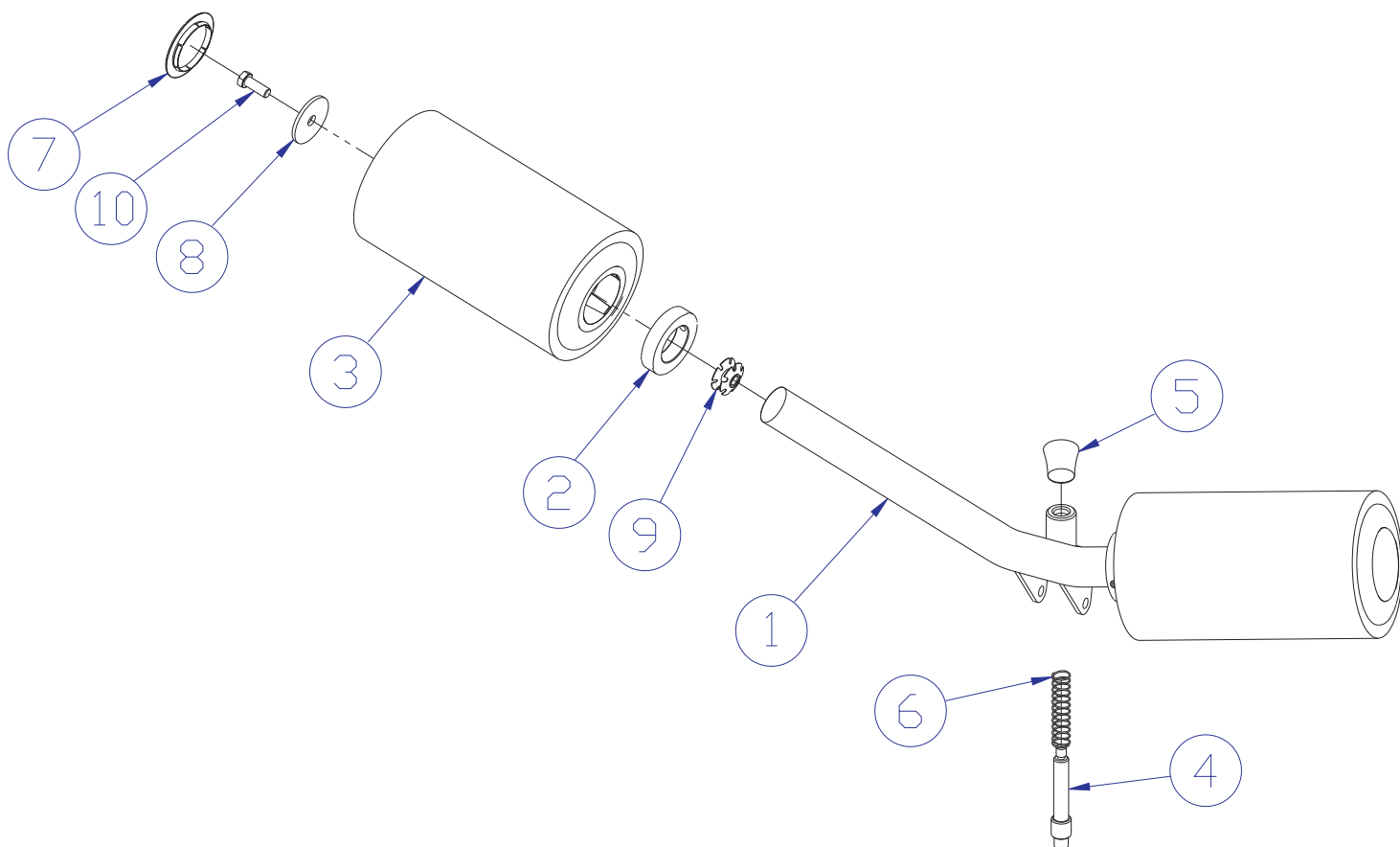


ITEM NO.	QTY.	PART NO.	DESCRIPTION
1	1	LEA7728201	PTD ASSY, FRONT UPRIGHT
2	10	LEA6533501	BRKT, L 2-3/8 X 1 X 1
3	1	LEA6692601	CAP, END 3 X 2 10-14GA
4	2	LEA3102912	.375 - 16 X 7.50 HEX HEAD BOLT
5	2	LEA3102924	.375-16 x 1.75 HEX HEAD BOLT
6	10	LEA3245001	PULLEY, 3-1/2 OD X 3/8 ID X 1

7	2	LEA7616601	PULLEY, V-GROOVE 4-1/2 OD X 2
8	2	LEA7746201	STOP, CABLE BALL
9	2	LEA7612701	PLATE, MID PULLEY
10	18	LEA3102514	WASHER, FLAT 3/8" SAE ST ZN
11	4	LEA3102904	.375 - 16 X 3.00 HEX HEAD BOLT
12	4	LEA3102933	.375 - 16 X 2.00 HEX HEAD BOLT
13	6	LEA3102802	NUT, NYLOCK 3/8-16



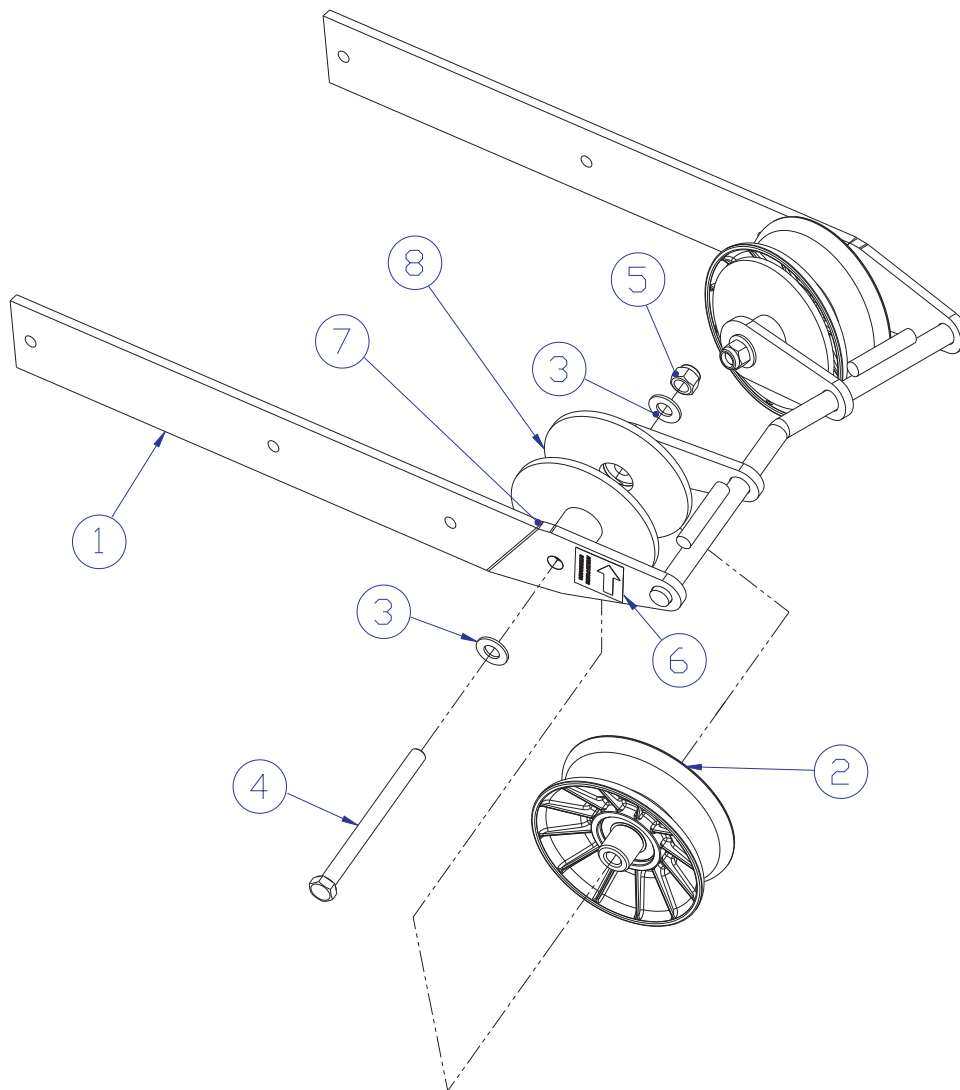
# G5 GYM SYSTEM ROLLER PAD ADJ. ASSEMBLY - LEA7729801



ITEM NO.	QTY.	PART NO.	DESCRIPTION
1	1	LEA7729701	WLDMT, G5, ROLLER PAD ADJUST
2	2	LEA7357901	SHAFT COLLAR, 1-1/2" ID ALUM
3	2	LEA7424701	ASSY, ROLLER PAD - SHORT
4	1	LEA7351300	PIN, PULL
5	1	LEA7351401	KNOB, TULIP STYLE
6	1	LEA7351501	SPRING; PULL PIN LARGE
7	2	LEA7308701	CAP, BEARING HOUSING
8	2	LEA7322301	PLATE, 1.97 OD X .44 ID 10GA
9	2	LEA7621301	NUT, SPIDER 3/8-16
10	2	LEA3102909	.375 - 16 X 1.00 HEX HEAD BOLT

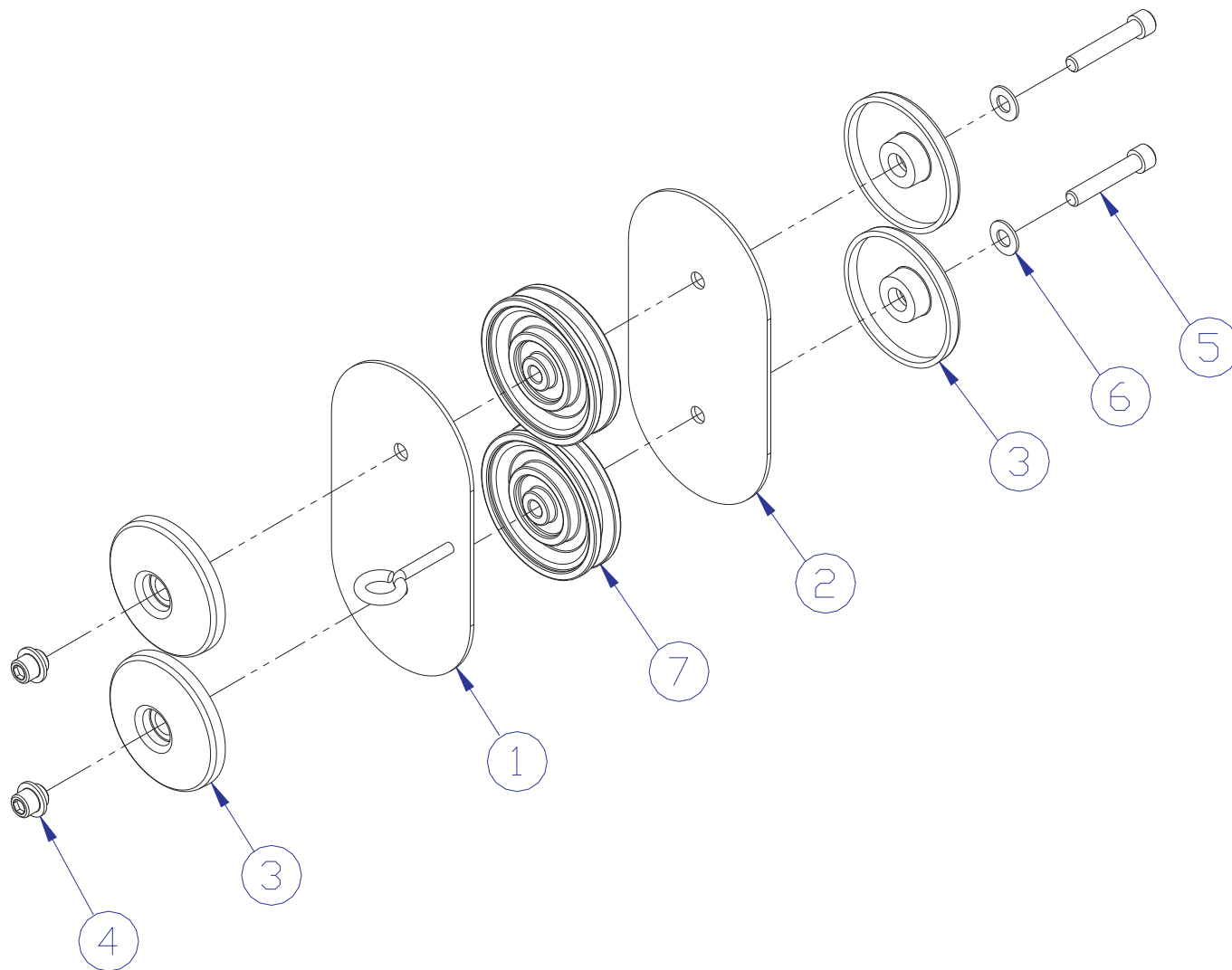
# G5 GYM SYSTEM TOP PULLEYS ASSEMBLY - LEA7746101

---



ITEM NO.	QTY.	PART NO.	DESCRIPTION
1	1	LEA7701001	WLDMT, G5, UPPER PULLEY
2	2	LEA7616601	PULLEY, V-GROOVE 4-1/2 OD X 2
3	4	LEA3102514	WASHER, FLAT 3/8" SAE ST ZN
4	2	LEA3102935	.375 -16 X 4.50 HEX HEAD BOLT
5	2	LEA3102802	NUT, NYLOCK 3/8-16 ST ZN
6	2	LEA7779301	LABEL, ARROW
7	2	LEA7913901	WLDMT, G5 HIGH PULLEY LONG
8	2	LEA7903901	WLDMT, G5 HIGH PULLEY SHORT

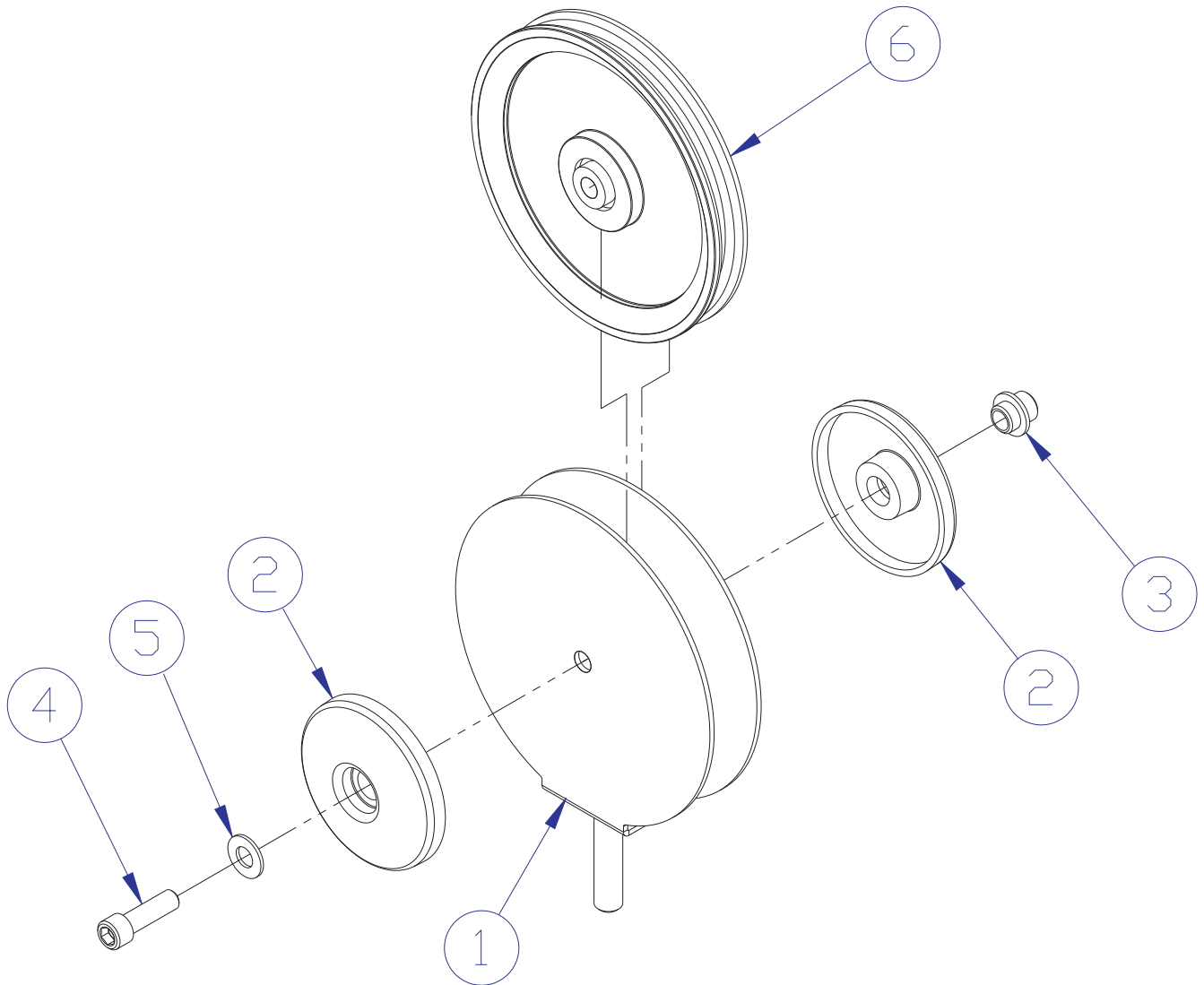
# G5 GYM SYSTEM FLOATING PULLEYS ASSEMBLY - LEA7754501



ITEM NO.	QTY.	PART NO.	DESCRIPTION
1	1	LEA7758801	WLDMT, G5, FLOATING PULLEY
2	1	LEA7612601	PLATE, FLOATING
3	4	LEA7754801	COVER PULLEY
4	2	LEA7710101	NUT, .375 - 16 SOCKET HEAD
5	2	LEA3249209	.375 HXS SOC CS ST ZN X 2.00
6	2	LEA3102514	WASHER, FLAT 3/8" SAE ST ZN
7	2	LEA3245001	PULLEY, 3-1/2 OD X 3/8 ID X 1

# G5 GYM SYSTEM HEAD PLATE PULLEY ASSEMBLY - LEA7762401

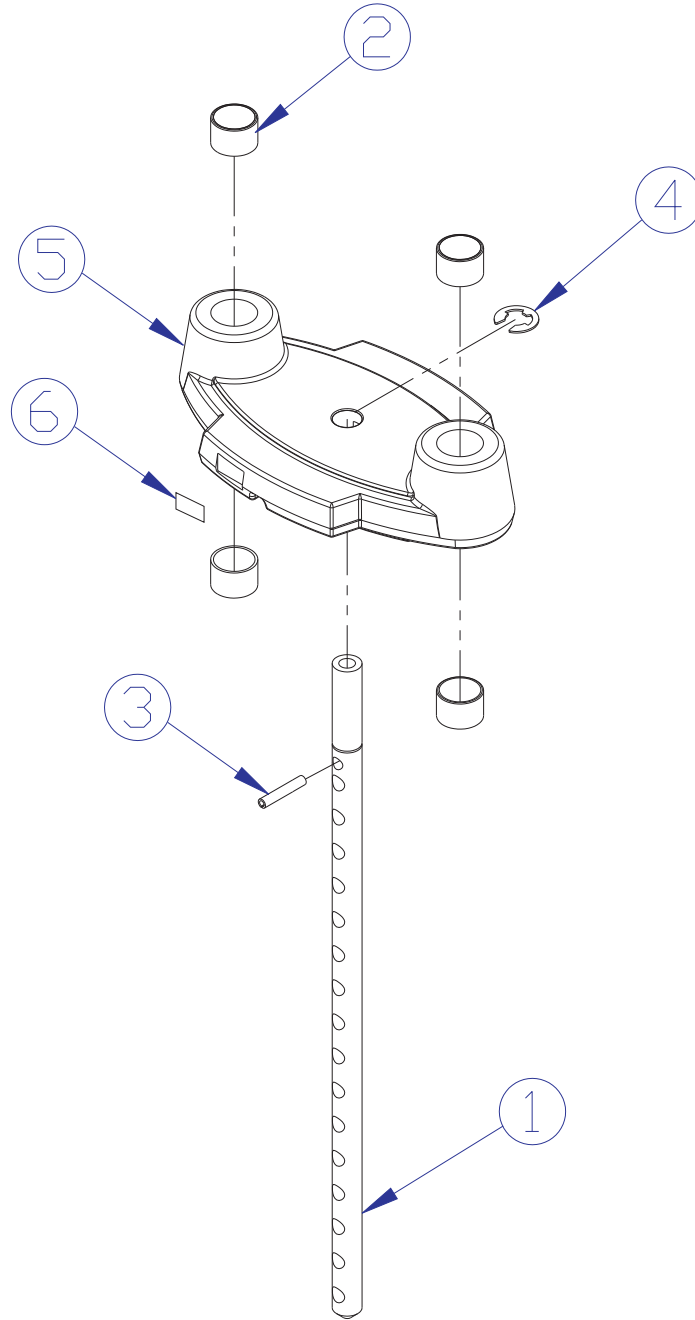
---



ITEM NO.	QTY.	PART NO.	DESCRIPTION
1	1	LEA7612001	WLDMT, 6 PULLEY
2	2	LEA7754801	COVER PULLEY
3	1	LEA7710101	NUT, .375 - 16 SOCKET HEAD
4	1	LEA3249206	.375 HXS SOC CS ST ZN X 1.25
5	1	LEA3102514	WASHER, FLAT 3/8" SAE ST ZN
6	1	LEA3239601	PULLEY, 6" OD x 10MM ID

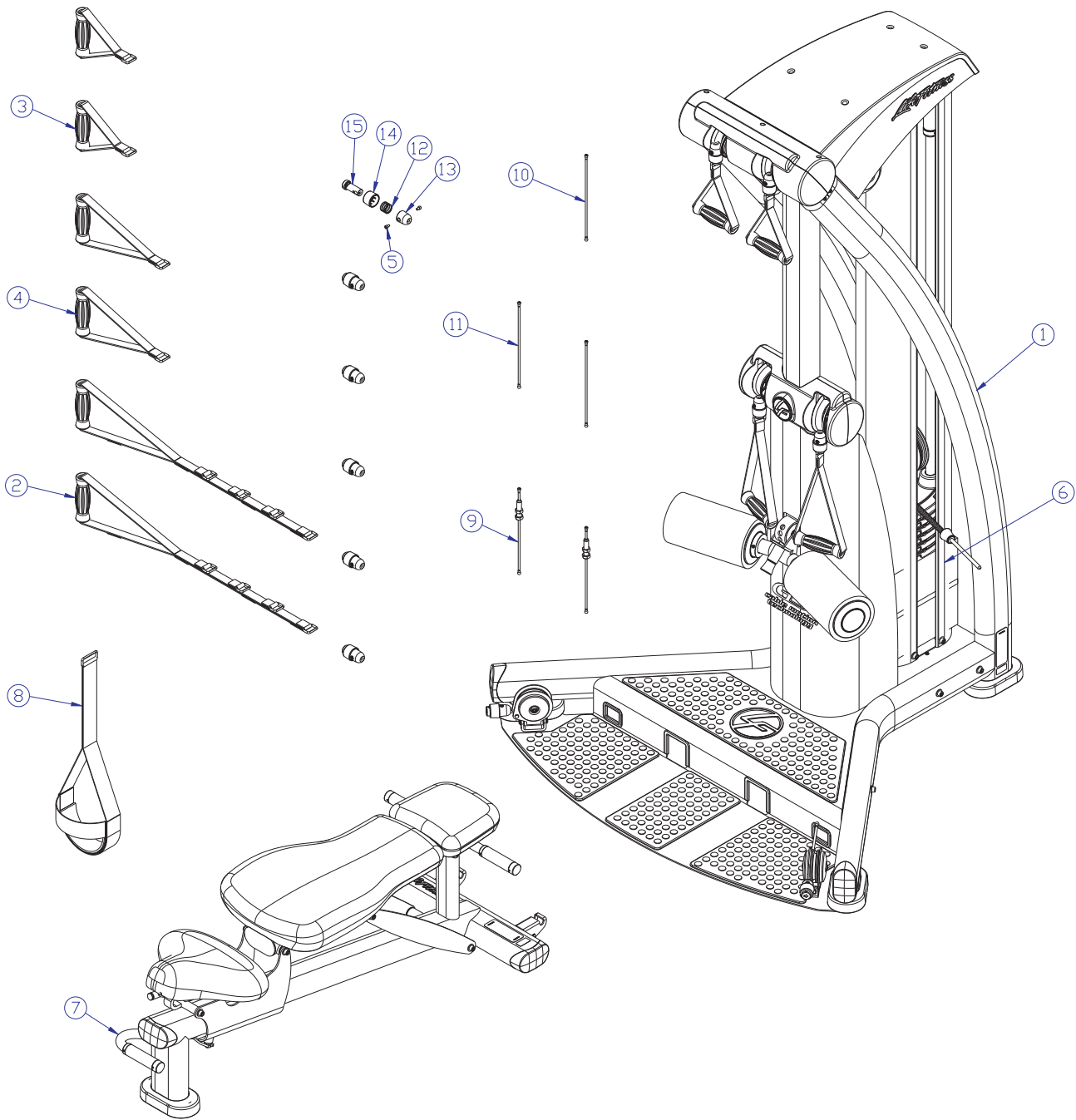
# G5 GYM SYSTEM HEAD PLATE ASSEMBLY - LEA6925501

---



ITEM NO.	QTY.	PART NO.	DESCRIPTION
1	1	LEA6914401	ASSY, SHAFT .750 DIA X 20
2	4	LEA6915601	BEARING, 26M X 30M X 20
3	1	LEA3110003	ROLL PIN, 1/4 DIA X 1-3/4
4	1	LEA3221702	E-RING, EXTERNAL 3/4
5	1	LEA6888501	HEAD PLATE BLK
6	2	LEA7749901	LABEL, WEIGHT STACK 1-26

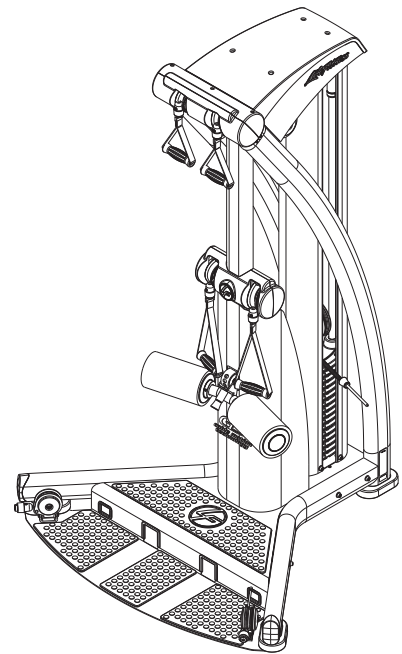
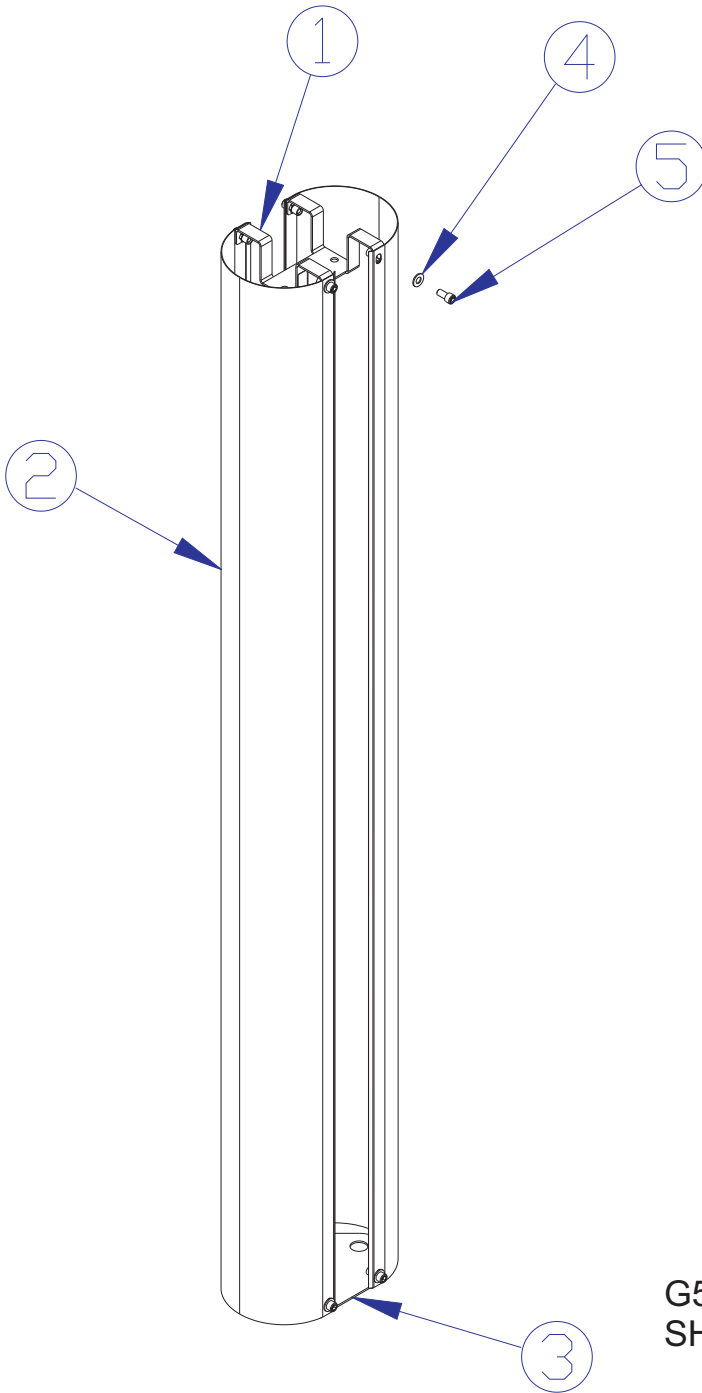
# G5 GYM SYSTEM STRAPS & CABLES



ITEM NO.	QTY.	PART NO.	DESCRIPTION
1	1	G5-TOWER ASSY	ASSY, G5, TOWER
2	2	LEA7745501	HANDLE, STRAP ADJUSTABLE
3	2	LEA7745601	HANDLE, STRAP SHORT
4	2	LEA7745701	HANDLE, STRAP LONG
5	12	LEA3250002	M5 X 0.8 HXS SOC CS ST BZ X 8
6	3	LFWGT-4000-101	PTD ASSY, LF WGT PLATES, 5-10LBS
7	1	G5-BENCH ASSY	ASSY, G5, BENCH

8	1	LEA7745801	HANDLE, STRAP FOOT
9	2	LEA7746001	CABLE, BE-TP1, T2, 73
10	1	LEA7745401	CABLE, BS-BS, T2, _____
11	2	LEA7745402	CABLE, BS-BS, T2, _____
12	6	LEA3249901	SPRING, COMPRESSION
13	6	LEA7726401	HSNG, QUICK CONNECT
14	6	LEA7726301	SLEEVE, QUICK CONNECT
15	6	LEA7726201	COUPLER, QUICK CONNECT

# G5 GYM SYSTEM OPTIONAL SHROUD ASSEMBLY - LEA7822901



G5 GYM SYSTEM SHOWN WITH OPTIONAL SHROUD ASSEMBLY (AVAILABLE 9/30/05)

ITEM NO.	QTY.	PART NO.	DESCRIPTION
1	1	LEA7822401	PTD ASSY, SHROUD BRKT-TOP
2	2	LEA7801501	SHROUD, G5 WEIGHT STACK
3	1	LEA7822501	PTD ASSY, BRKT SHROUD-BTM
4	8	LEA3102514	WASHER, FLAT 3/8" SAE ST ZN
5	8	LEA3249203	.375 HXS SOC CS ST ZN X .750

# G5 GYM SYSTEM IMAGE (shown with optional bench)

---

